

# Framless shower enclosure series "Golf"



1. Product definition
2. Product details
3. Model examples
4. Features
5. Model range
6. Colours
7. Glass decors
8. Product-specific features
9. Installation procedure



## „One Design for everybody“

The new frameless swing door series in a modern and stylish design by



**PHOENIX DESIGN** ■

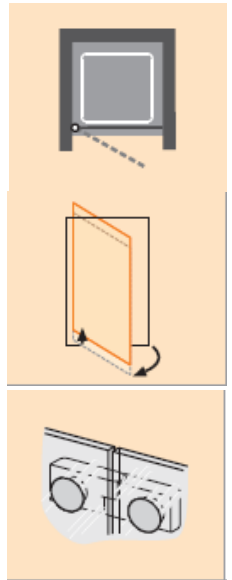


Attractive design with a  
pleasant touch





- Concealed rise & fall mechanism of 5 mm
- Inside flush-fitting hinges facilitate easy cleaning





Hinge for direct wall connection



Discreet niche profile with an integrated magnetic stripe

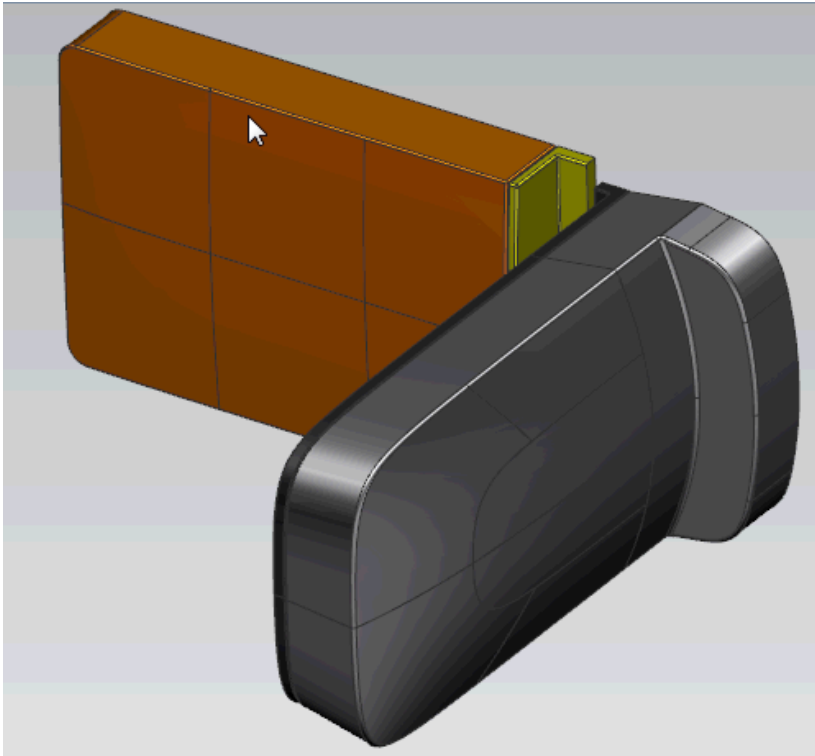


- Inside flush wall brackets
- 2 mm adjustment



Inside view





Optional with  
inside fixing available

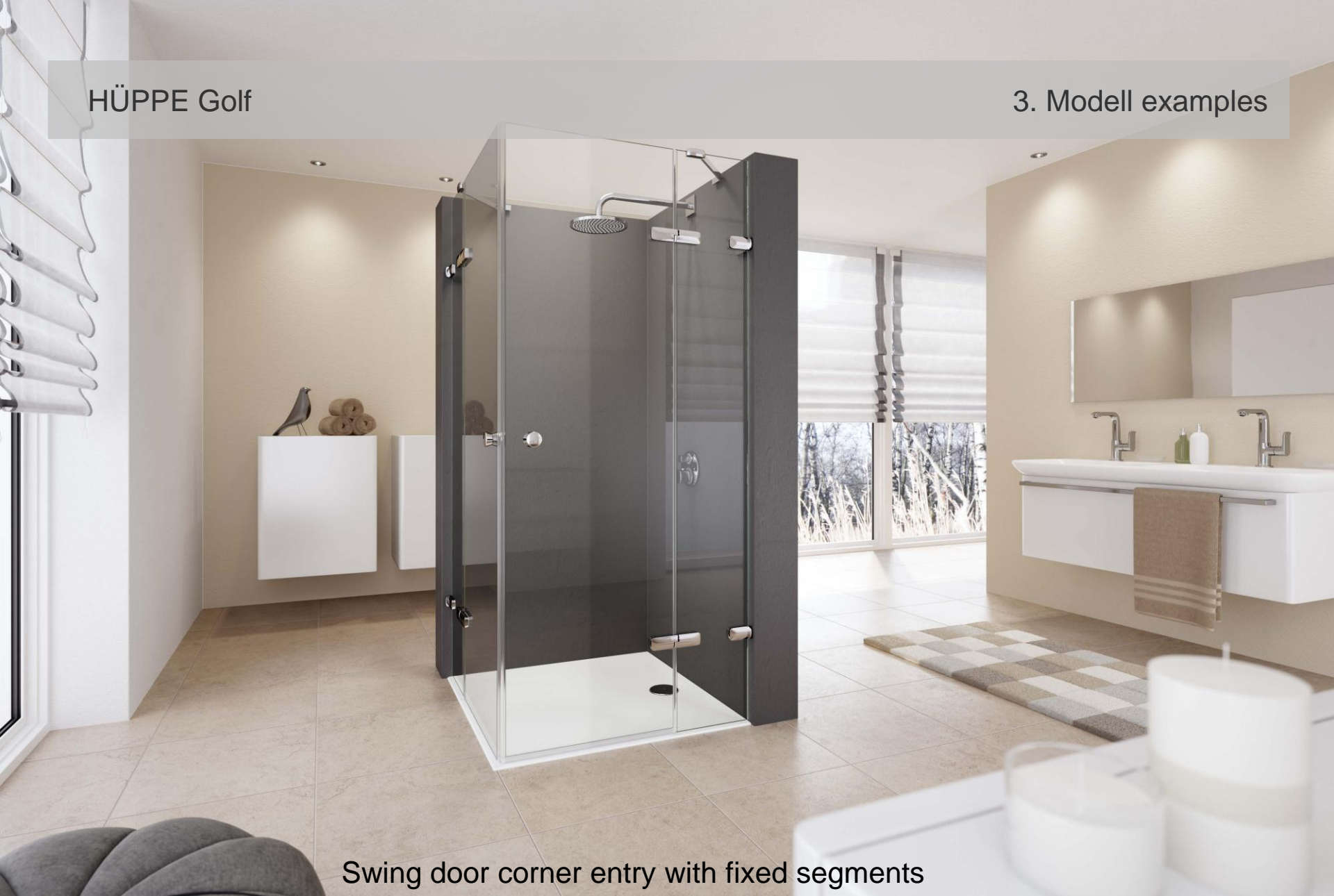
## New stabilizer in universal design

- Easy to install
- Adjustable in all directions
- No visible screws



Cross-bracing





Swing door corner entry with fixed segments





Swing door with fixed segment in niche

Swing door with fixed segments  
and side panel



HÜPPE Golf

3. Modell examples



Swing door in niche

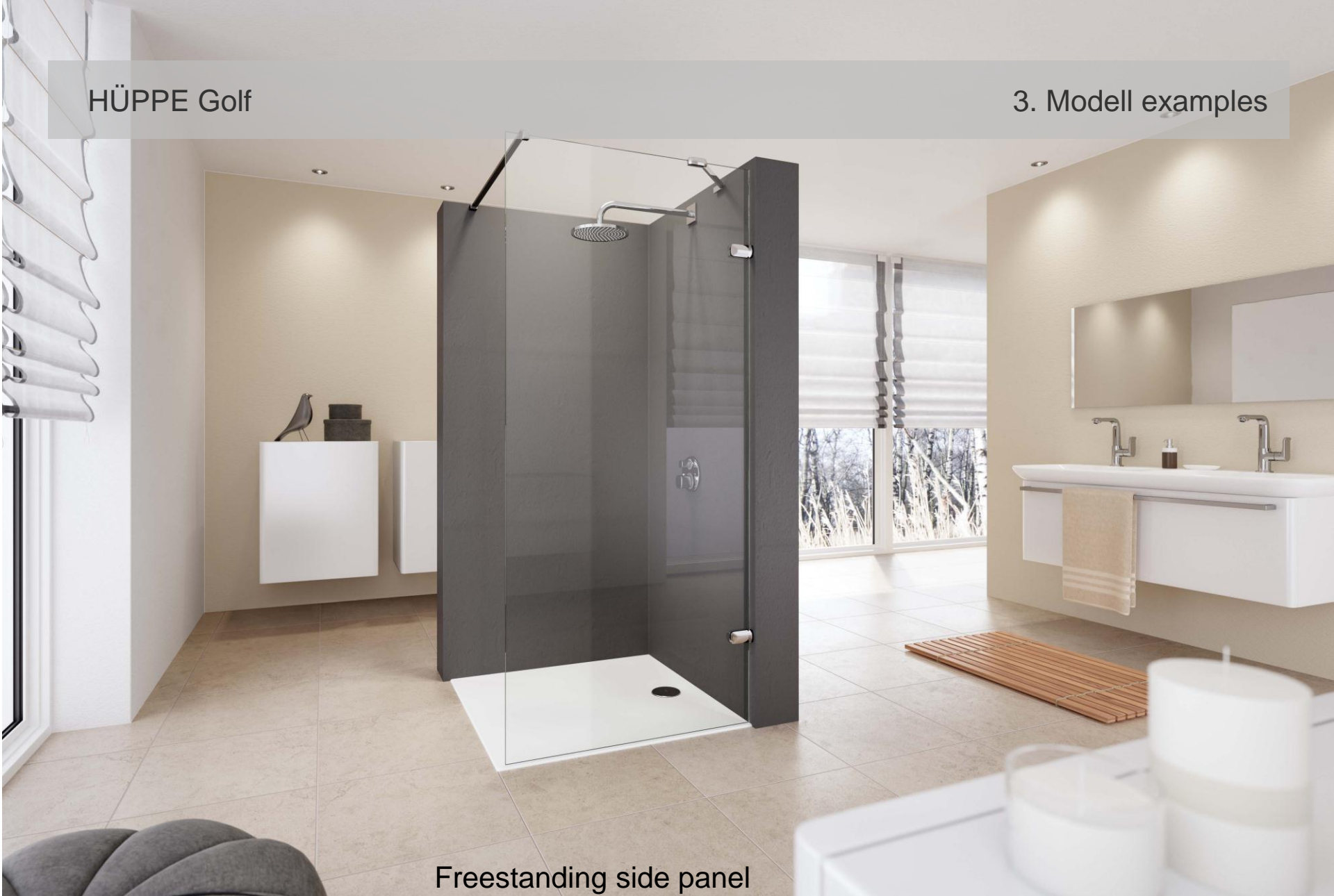
HÜPPE Golf

3. Modell examples



Swing door with side panel





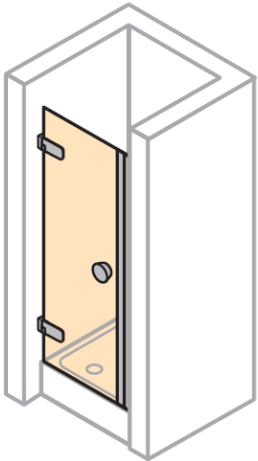
Freestanding side panel

HÜPPE Golf

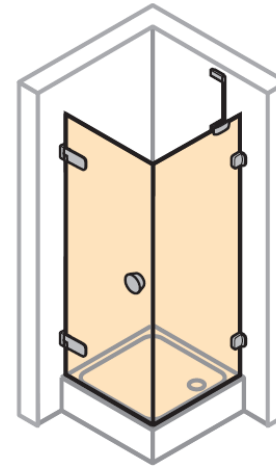
3. Modell examples



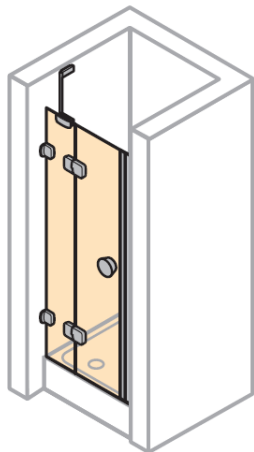
¼ round swing door  
with fixed segments



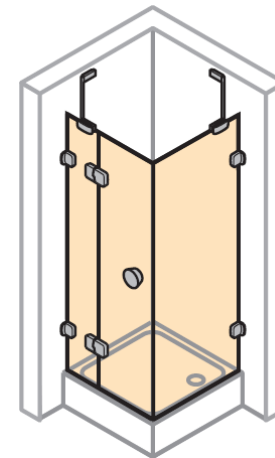
width: to 1000mm  
height: to 2000mm



width: to 1000mm  
height: to 2000mm

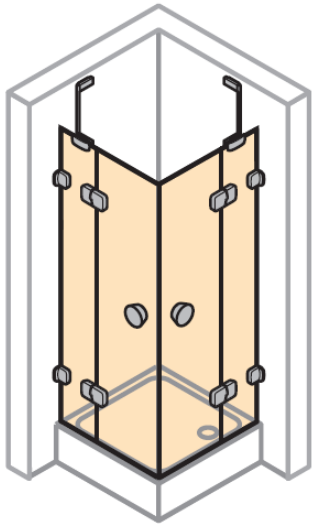


width: to 1200mm  
height: to 2000mm

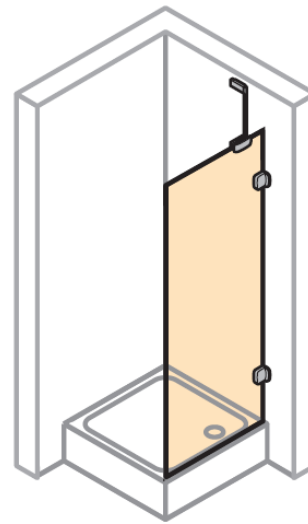


width: to 1200mm  
height: to 2000mm

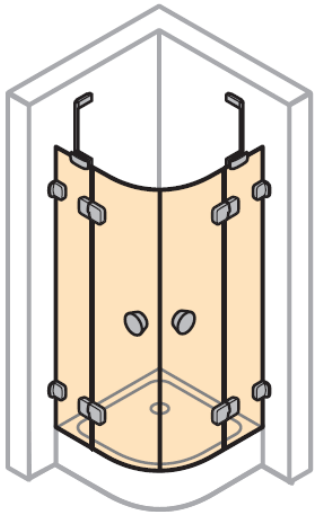




width: to 1200mm  
height: to 2000mm



width: to 1600mm  
height: to 2000mm



width: to 1200mm  
height: 2000mm

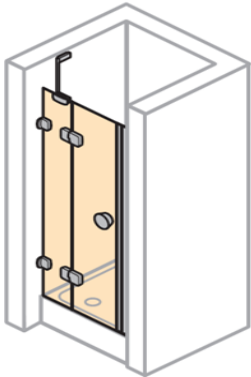
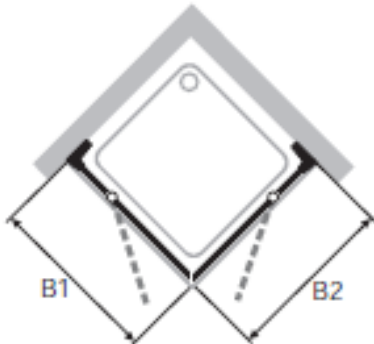





Chrom 091



Clear  
Clear Anti Plaque

		
<p>Height: to 2000mm</p>	<p>width: Door with direct wall connection: to 1000 mm Door with fixed segment: to 1200 mm</p>	<p>Glass thickness: Door: 6mm Fixed segment: 8 mm</p>



Slopes and cut out available

Anschaungsbeispiel



